



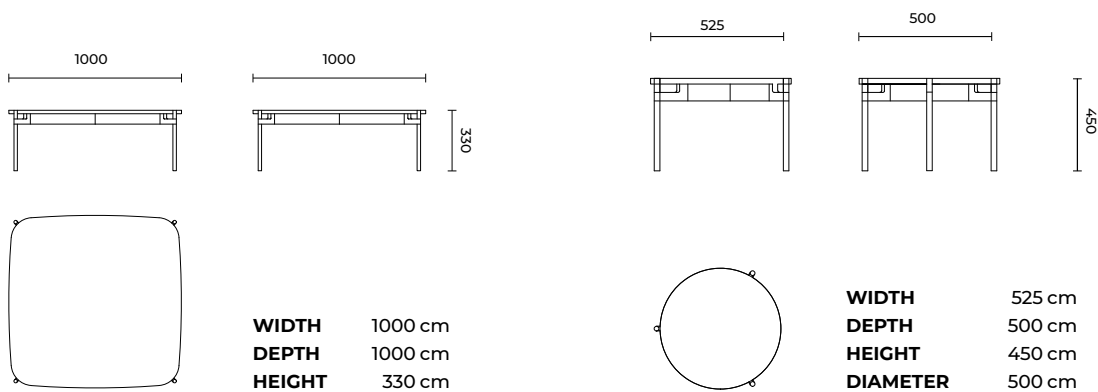
Marbello side table combines an black/white steel frame with an elegant tabletop in marble, wood or MDF. The union of different shapes and structures gives the Marbello table an interesting, distinctive character, and the robust materials make it stand the test of time. The Marbello tables are designed for both home use and public environments. a round marble top stands on slender metal legs with eye-catching, intersecting rods.

### Materials

\* **Table top:** Marble, wood veneer, MDF

\* **Base:** Metal tube base

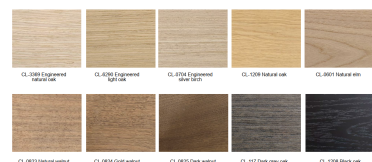
### DIMENTIONS



### FINISHES

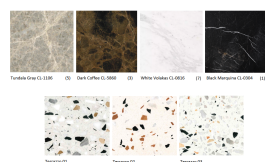
#### Wood Veneer Top

##### WOOD VENEER



#### Marble Top

##### MARBLE + TERRAZZO



#### Mdf Top



#### Base



Black

White