

Liberty® Features & Characteristics



Liberty, with Form-Sensing Mesh Technology, is unlike any mesh chair you've seen or experienced. With its tri-panel construction, Liberty has the body-fitting contours that single-panel stretch mesh chairs simply can't achieve. And it offers perfect lumbar support for everyone, without external devices or manual adjustments. Liberty's mesh back is formed by combining three panels of non-stretch mesh in the same way a tailor combines multiple pieces of material to form a shirt. So its contours are custom-made to both fit and support the human body in unprecedented comfort.



PHYSICAL CHARACTERISTICS

CUSHIONS

- Non-stretch, tri-panel mesh back
- Molded polyurethane foam seat cushion
- Duron arm pads
- Optional arm pads and seats have top layer of Technogel®
- Seats upholstered with a variety of materials customized to the unique form of the cushion

CUSHION PAN, BACK FRAME, FIVE-ARM BASE

- Injection-molded, structural, integral color plastics
- Optional stainless steel caps on base

EXTERNAL FRAME

- Die-cast aluminum with fused plastic coating or polished aluminum finish

STORED ENERGY DEVICES

- Nitrogen-charged gas cylinder for adjustable seat height
- Coil spring in the self-adjusting recline mechanism
- Torsion spring in the pivoting backrest

OPTIONAL FOOT RING

- Chrome-plated steel

Liberty® Features & Characteristics



STANDARD FEATURES

SELF-ADJUSTING RECLINE

- Intelligent counter-balance recline mechanism automatically provides the right amount of support through the full range of recline motion, regardless of user size and weight
- No tension springs to adjust
- No recline locks to set/release
- During recline, the angle between torso and legs opens up for better body function
- User maintains near-constant eye level during recline

PIVOTING BACKREST

- Extra motion of the backrest during recline automatically adjusts to the changing needs of the spine
- Provides additional lumbar support as needed

FORM-SENSING MESH

- Tri-panel, non-stretch mesh construction creates body-fitting contours and self-adjusting lumbar support for a customized fit
- No external lumbar devices to adjust, break or lose
- Low-abrasion mesh protects clothing
- Modular for easy replacement

STANDARD CYLINDER

- Provides seat height range that accommodates 95% of the population

CONTOURED SEAT CUSHION

- Carefully sculpted to match body contours
- Increased contact area reduces pressure points
- Modular for easy replacement

BODY FIT

- Size adjustable to fit more than 95% of the population
- Form-sensing mesh provides perfect lumbar support—automatically
- Manual adjustments for fit-to-size:
 - Seat Height: 5" adjustment range
 - Seat Depth: 2.25" adjustment range

CASTERS

- 3" dual-surface casters roll easily on carpeted floors and quietly on hard floors

OPTIONAL FEATURES

ARMREST OPTIONS

- Armless
- Fixed armrests
- Height-adjustable armrests with 5" range of adjustment

GEL SEAT CUSHION

- Non-degradable, non-compressible Technogel® layer on top of foam core
- Provides maximum pressure distribution
- Offers unmatched long-term comfort

ARM PAD OPTIONS

- Flexible Duron
- Technogel® for optimal comfort

CYLINDER OPTIONS

- Low cylinder for small users
- Tall cylinder for very tall users
- High cylinder with foot ring
- Return-to-height cylinder returns chair to highest position when user exits chair

FIREPROOFING

- CAL 133-approved
 - Fireproof barrier between textile and foam
 - Fire-retardant plastics

CASTER OPTIONS

- Non-rolling glides for fixed location use

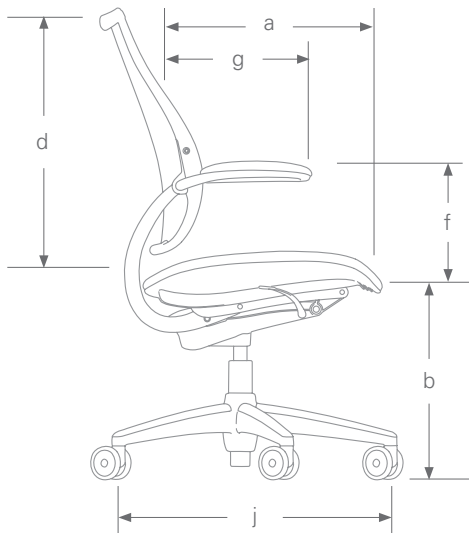
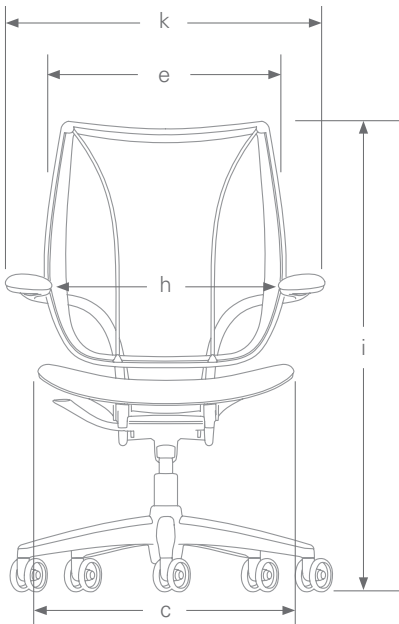
POLISHED BASE CAPS

- Stainless steel caps on five-star base for wear protection and aesthetic appeal

FOOT RING

- Chrome finish
- Height-adjustable

SPECIFICATIONS



CODE	DESCRIPTION	MEASUREMENT	
		Conference/Task	Side
a	seat depth (from face of lumbar to front of seat)	16.5" – 18.75"	17.5"
b	seat height (from floor to compressed front center of seat cushion)	16" – 21" standard chair 15.25" – 19" low chair 17" – 22.25" tall chair 20.5" – 28.5" high chair with foot ring	18"
c	seat width	21"	20.75"
d	backrest height (from seat cushion to top of backrest)	22.5"	18.5"
e	backrest width	20"	19.75"
f	armrest height (from compressed seat cushion to top of armrest)	10" fixed 6.5" – 11.5" adjustable	9.5"
g	armrest length (from face of lumbar to front of armrest)	12.25"	12"
h	distance between armrests	19"	19.25"
i	height	38.5" – 43.5" standard chair 37.75" – 41.5" low-cylinder chair 39.5" – 44.75" tall-cylinder chair 43" – 51" high chair with foot ring	35.5"
j	base diameter	25"	N/A
k	chair width	26.5"	24.75"

SCOPE OF USERS

- Conference/Task chair fits more than 95% of the office population
 - 5'0" Woman to 6'4" Man
 - 100 to 300 lbs.
- Users outside the standard range can be accommodated by Low or Tall Cylinder

WEIGHT

- 27 lbs. *Conference/Task chair*
- 15 lbs. *Side chair*

TILT AND RECLINE

- 17° recline plus 7° backrest tilt
Conference/Task chair

REFERENCE ANGLE BETWEEN SEAT AND BACK

- 100° to 124° *Conference/Task chair*

ENVIRONMENTAL HIGHLIGHTS

- Made predominantly of aluminum, followed by steel and plastic
- Contains 54% recycled content (32% post-consumer, 22% pre-consumer)
- 93% recyclable
- Weighs only 27 lbs.
- Modular cushions for easy replacement
- Designed for easy disassembly
- Ships in 85% recycled packaging or blanket-wrapped when feasible
- Greenguard Certified